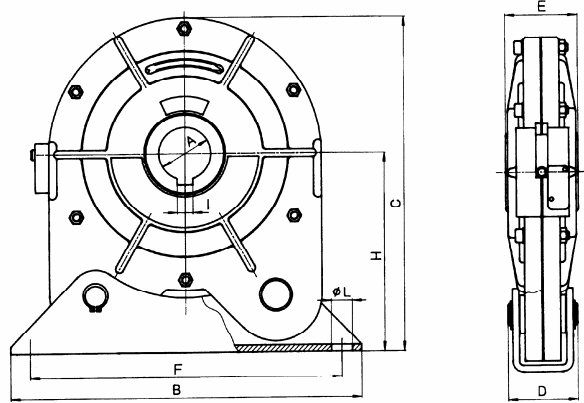


Sizes mm	M3 A	M4 A	M7 A	M10 A	M15 A	M30 A
				MH5 A	MH11 A	MH18 A
A(H8)	1"	1.25"	1 1/2"	1 1/2"	2"	2 3/4"
B	165	216	268	280	320	415
C	158	202	255	260	265	348
D	33	53	53	70	75*	110*
E	30	50	55	57	58	91
F	145	186	240	240	290	365
H	91	123	151	156	140	191
I	1/4"	1/4"	3/8"	3/8"	1/2"	5/8"
L	9	12	15	16	18	22

* Denotes the new brake with interlock



		M3A			M4A			M7A			M10A			M15A			M30A		
		rolling curtain maximum weight (lb.)																	
curtain	width	(feet)			(feet)			(feet)			(feet)								
tube OD	height	9	16	22	9	16	22	9	16	22	9	16	22						
4.5"	9	692	692	482	1087	517													
	16(ft)	626	624	624	937	517													
	22	571	571	569	827	517													
6.625"	9	588	586	584	908	900	851												
	16(ft)	555	553	551	822	814	803												
	22	518	518	516	745	734	728												
7.625"	9				794	778	765	1122	1113	1000	1814	1799	1784						
	16(ft)				741	725	712	1085	1047	1036	1673	1660	1645						
	22				681	668	655	979	970	959	1526	1515	1501						
8.625"	9				687	667	657	983	968	954	1590	1568	1545						
	16(ft)				658	638	618	955	939	924	1512	1490	1471	2646					
	22				616	598	579	900	886	873	1404	1387	1365						
9.625"	9				596	568	537	869	847	827	1393	1361	1336						
	16(ft)				583	557	528	858	838	818	1358	1326	1301	2359			5071		
	22				559	528	502	822	803	783	1281	1257	1228						
10.51"	9							778	750	723	1243	1206	1166						
	16(ft)							774	747	721	1228	1191	1151	2161			4630		
	22							752	725	701	1175	1140	1102						
11.75"	9				671	638	605	1071	1025	977									
	16(ft)				669	636	603	1067	1021	972	1940			4145					
	22				662	629	596	1041	994	948									
12.75"	9										---	---	---						
	16(ft)										941	880	816	1786			3814		
	22										928	866	805						
14.0"	9										814	737	667						
	16(ft)										814	739	665	1609			3472		
	22										808	735	660						
16.0"	9																		
	16(ft)													1316			3047		
	22																		
18.0"	9																		
	16(ft)																2705		
	22																		
20.0"	9																		
	16(ft)																		
	22																2425		

MOTION CONTROL SYSTEMS L.L.C.
272-8988
1215 SW 4TH AVENUE

TEL: 561-
FAX: 561-